

## MONO SERIES INSTALLATION GUIDE

### Supplied Hardware

2 x Stainless Steel M2.5 bolt (1 per fin)  
2 x #6 Specialty screw (1 per hole in back of mono pad)  
**NOTE:** Ensure adequate backing in wall, minimum 1/2" of wood backing required. Appropriate wall anchors may be used if fastening to masonry.

### Tools Required

Level or Laser  
Drill + drill bit  
#1 Robinson bit  
2mm Allen Key

1. Remove components from packaging. Be sure to recycle!
2. Determine location on wall.  
**Note:** Ensure adequate bottle space either side to existing and future objects. See Specification Guide for spacing requirements.  
**Note:** For Light Shelf installations, refer to Light Shelf Installation guide for wiring locations and instructions.
3. Mark top or bottom edge of Mono Pad.  
**Note:** If multiple mono pads are being installed, mark each location and ensure level.
4. Align Mono Pad(s) to location(s) marked.
5. Mark holes with pencil as per hole in back of Mono Pad(s). **(Diagram #1)**
6. Set Mono Pad(s) aside and pre-drill into wall surface and blocking behind with a 1/16" (1.5mm) drill bit, ensuring alignment with markings from previous step. **(Diagram #2)**  
**Note:** if mounting surface is masonry, drill required diameter hole for wall plug (not supplied) with suitable drill bit.
7. Carefully install Mono Pad with #6 Specialty screws (supplied) taking extra care not to damage side walls of fin cut-outs. **(Diagram #3)**  
**Note:** If light shelves are part of the installation, pull wire through centre hole before installing Mono Pad. (Refer to Light Shelf Installation Guide)
8. Repeat steps #4 to #7 for multiple Mono Series installations, ensuring adequate space between Mono Pads. (Refer to Specification Guide for spacing requirements)
9. Install fins (or Light Shelves, see Light Shelf installation guide) individually so the pre-drilled hole in fin aligns with the threaded hole in Mono Pad. **(Diagram #4)**
10. Once key of fin is installed and fin is nested on Mono Pad, secure fin by installing M2.5 bolt (supplied) and finger tighten with 2mm allen key.  
**Note:** Use allen key only in orientation shown as to not create excessive torque. Finger-tight is all that is required to make a snug fit. Use extreme caution not to over-tighten and strip thread in Mono Pad.
11. Repeat steps #9 and #10 until all fins/ light shelves are installed.
12. Sit back and enjoy!

Diagram #1 :: Mark Locations

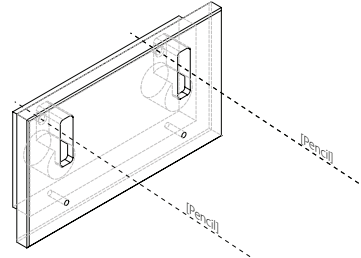


Diagram #2 :: Pre-drill holes

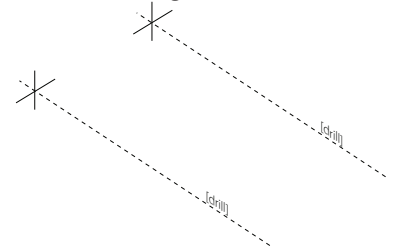


Diagram #3 :: Install Mono Pad

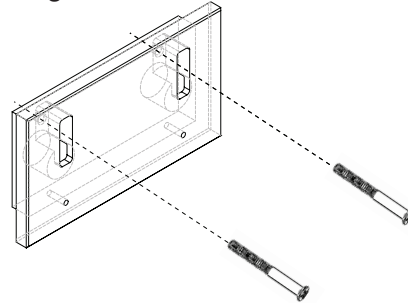


Diagram #4 :: Install Components

