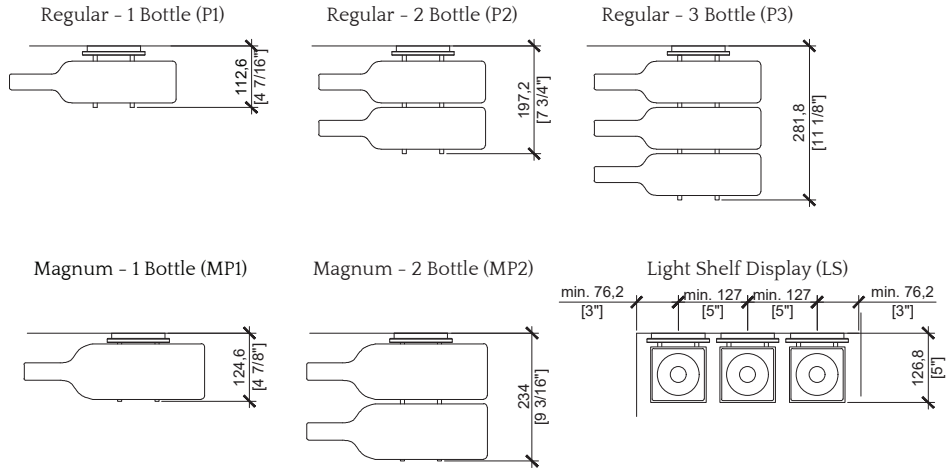


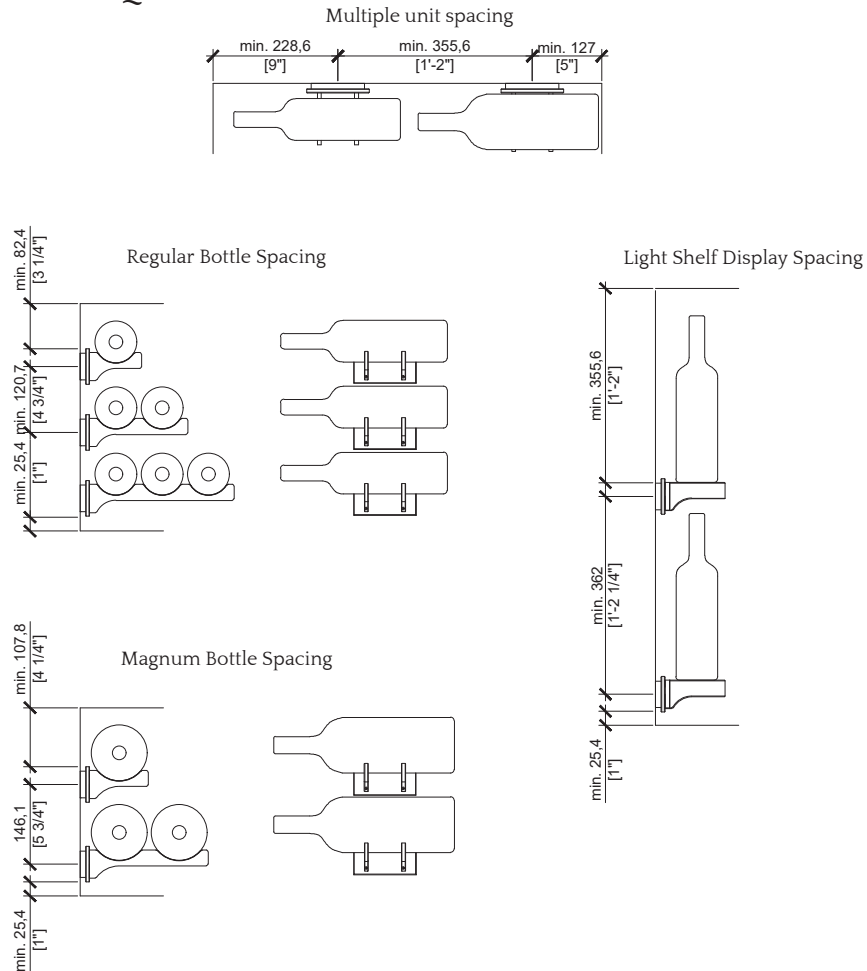
MONO SERIES - Specification Guide

Installation Type :: Wall mounted | Display Options :: P1, P2, P3, MP1, MP2, LS | Colour Options :: 13 Colours available | Capacity :: 1-3 bottles | Pricing :: Based on configuration

DISPLAY OPTIONS



MULTIPLE UNIT SPACING REQUIREMENTS



MONO SERIES - Specification Guide

COLOUR OPTIONS



MONO PLATE DETAIL

